

SUP1H

AC SURGE PROTECTION DEVICE

Technology
Connects human and nature



SUP1H SERIES AC Surge Protection Device



PRODUCT DESCRIPTION

SUP1H series SPD, suitable for AC 50/60Hz, rated voltage up to 380V power supply system (or communication system), to protect against indirect or direct lightning impact or other instantaneous overvoltage electrical surge.

Products comply with the standard: GB/T 18802.1/IEC61643-31 and GB/T50057-200 Lightning Protection Design Code for Buildings.

SPD has the protection modes of combinations as relative phase, relative ground, relative midline, and midline to ground.

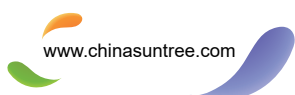


TYPE KEY

S	UP	1H	40	/	<input type="checkbox"/>	<input type="checkbox"/>	<input type="checkbox"/>
Company Code	SPD	Design code	Rated Current (kA)		Pole(1P/2P/3P/4P)	Max Working Voltage	"X" Remote Contact

PRODUCT BENEFITS

- Use world-class components
- Large discharge current and fast response time
- Modular structure, composed of base and plug protection module which is easy to install and maintain
- Modules are safe and reliable such as overheating and overcurrent double tripping device, failure display window
- Multi-functional connection port helps to be connected to wire and bus, and configured with remote alarm terminals



AC SURGE PROTECTION DEVICE

TECHNICAL PARAMETERS

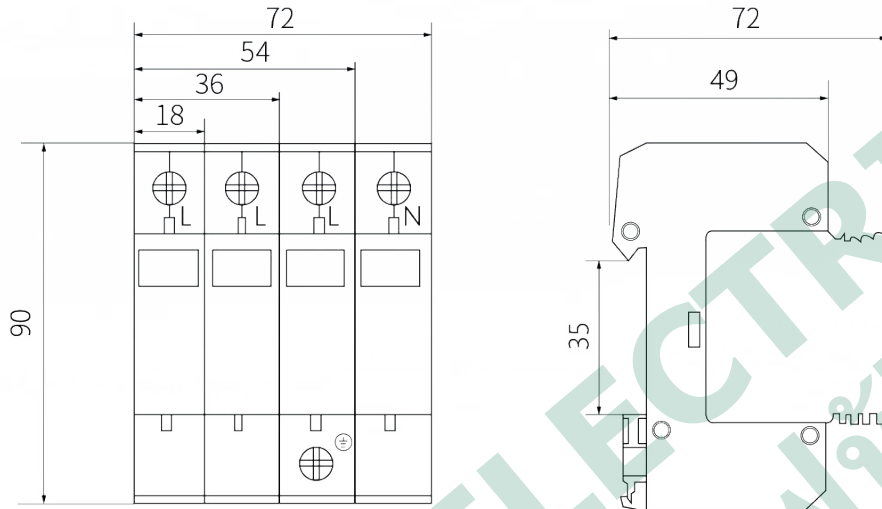
MAIN TECHNICAL PARAMETERS

Type	SUP1H															
Poles	1P/2P/1P+N/3P/3P+N/4P															
Rated Operational Voltage Un (V)	230/480 (Customized)															
Nominal discharge In (8/20 μ s)kA	5				10				20				30			
Max. Discharge Current Imax (8/20 μ s)kA	10				20				40				65			
Max. Continuous Working Voltage Uc (V)	275	320	385	420	275	320	385	420	275	320	385	420	275	320	385	420
Protection Level Up (kV)	<1.4	<1.4	<1.4	<1.4	<1.6	<1.6	<1.6	<1.6	<1.8	<1.8	<1.8	<1.8	<2.0	<2.0	<2.0	<2.0
Back-up Fuse	40AgL				40AgL				63AgL				80AgL			
Response Time (ns)	<20															
Residual Current 75% Uc 1mA	<20pA															
Test Classification	II级															
Protection Level	IP20级															
Ambient Air Temperature (C)	-40 C ~+80 C															
Insulating Shell Material	PBT/PA66															
Flame Resistance Level	V0															
Mounting	35 mm device rail (DIN)															
Shell Color	Red															
Current for Back up Fuse or Breaker	40~80															
Terminal Capacity (mm ²)	Phase line/Zero line															4~16 hardwire
	Earth line															4~16 two-toned
Test Standard	GB18802.1GB18802.21IEC61643-1IEC61643-21 UL1449 ed.2															

AC SURGE PROTECTION DEVICE

DIMENSIONS

Outline and installation dimensions



PRATHAN ELECTRIC
ประธานการไฟฟ้า

