



PMHPN SERIES COMBINER BOX



PMHPN SERIES

COMBINER BOX

Model And Significance



Enterprise Code

Product Category

Design Serial Number

Applications and Scope of Use

PMHPN series power distribution box is waterproof, dustproof, acid-resistant, alkali-resistant, impact-resistant, explosion-proof, UV-resistant, insulated and non-conductive.

Widely used in wind power generation system, outdoor dock, harbor, outdoor power distribution system, communication, mechanical equipment, chemical industry, petroleum and other harsh environments.

Suitable for harsh conditions and outdoor applications, with a temperature range of -20°C to +70°C and good UV resistance

Product Features

1. Independent personalized appearance design, using Xinch character “Xiaoxin” as the design elements, so that your power distribution more futuristic sense.
2. IP65 waterproof and dustproof, no worry about outdoor use.
3. ABS engineering flame retardant plastic box, prevent fire, safer electricity.
4. Internal optional terminal block, ground and zero line management is more convenient and beautiful.
5. The bottom of the reserve can be knocked down hole design, customers can choose according to their own needs need to open the hole
6. Padlock design to prevent others from opening, so as not to cause danger and personal property damage.
7. The internal space size is common with most of the products in the market, and can be applied to the installation of common size products.
8. Can be opened according to customer requirements.

Different specifications of the bottom of the product are designed to install the size, so that the installation is more convenient, do not have to look for instructions everywhere!

IP65

Water & Dust Resistance

Reliable Outdoor Performance in All Conditions



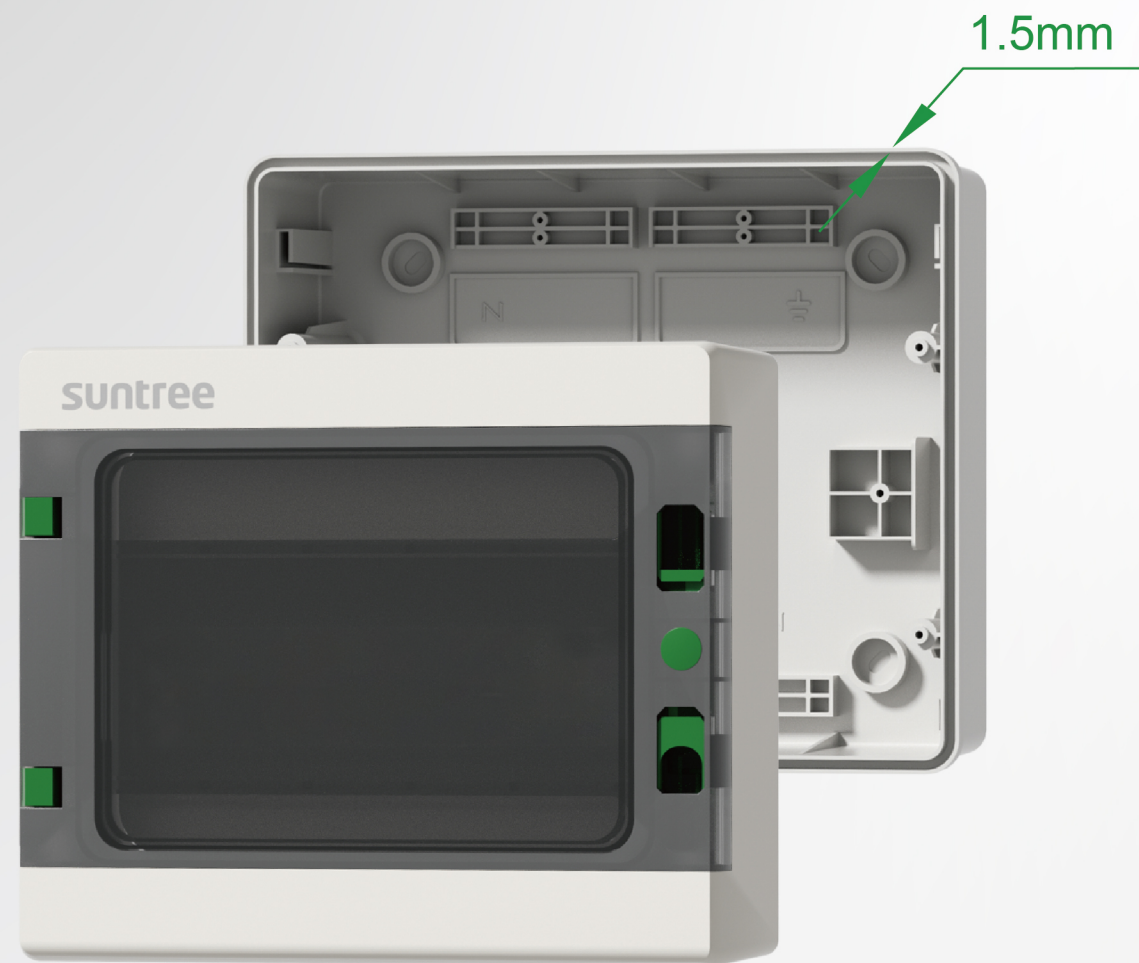
ABS FLAME-RETARDANT MATERIAL

Fireproof Design for Ultimate Safety



REINFORCED BODY DESIGN

80% thicker than legacy 1.5mm, double deformation resistance



LOCKABLE DESIGN

Prevent Unauthorized Access, Ensure Property Safety



UV-RESISTANT COATING (OPTIONAL)

Extend Lifespan, Resist Weathering

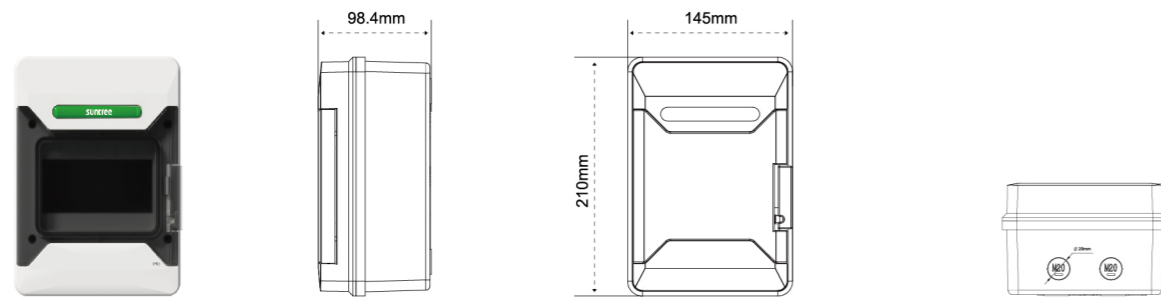


UNIVERSAL COMPATIBILITY

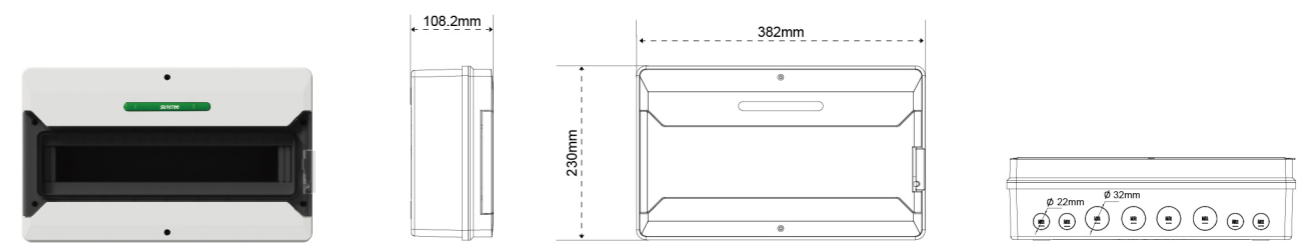
Universal Compatibility



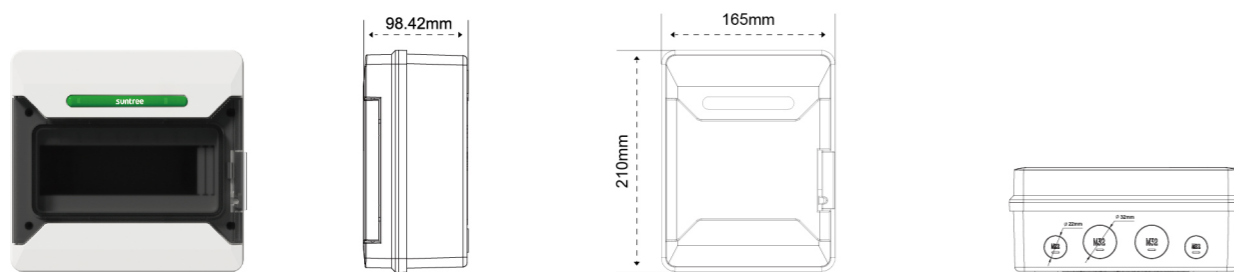
PMHPN-4 Dimension Drawing (mm)



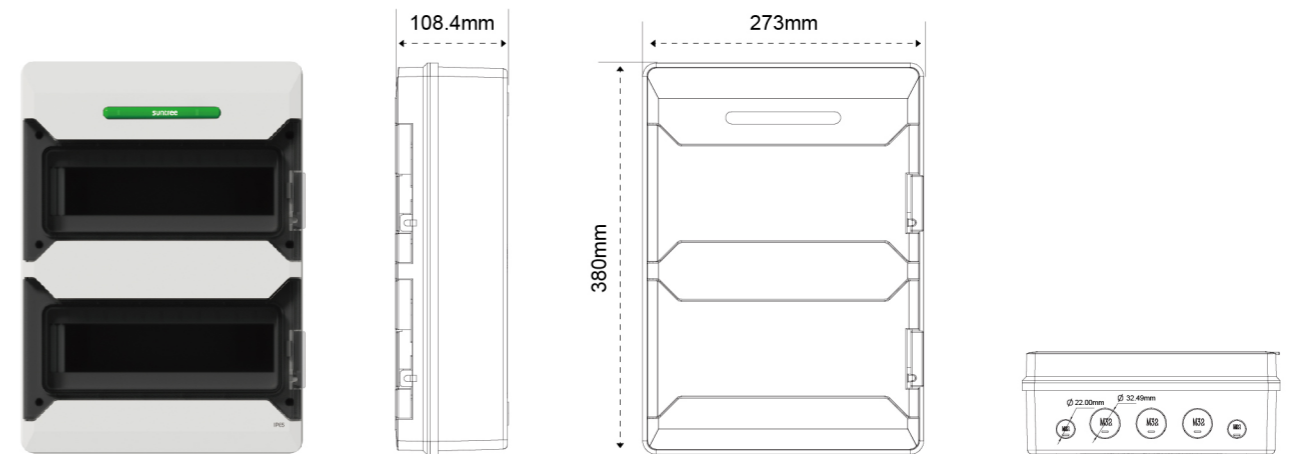
PMHPN-18 Dimension Drawing (mm)



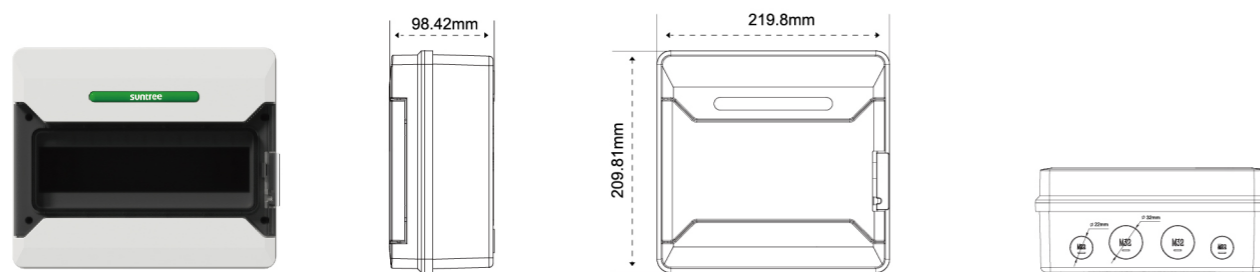
PMHPN-6 Dimension Drawing (mm)



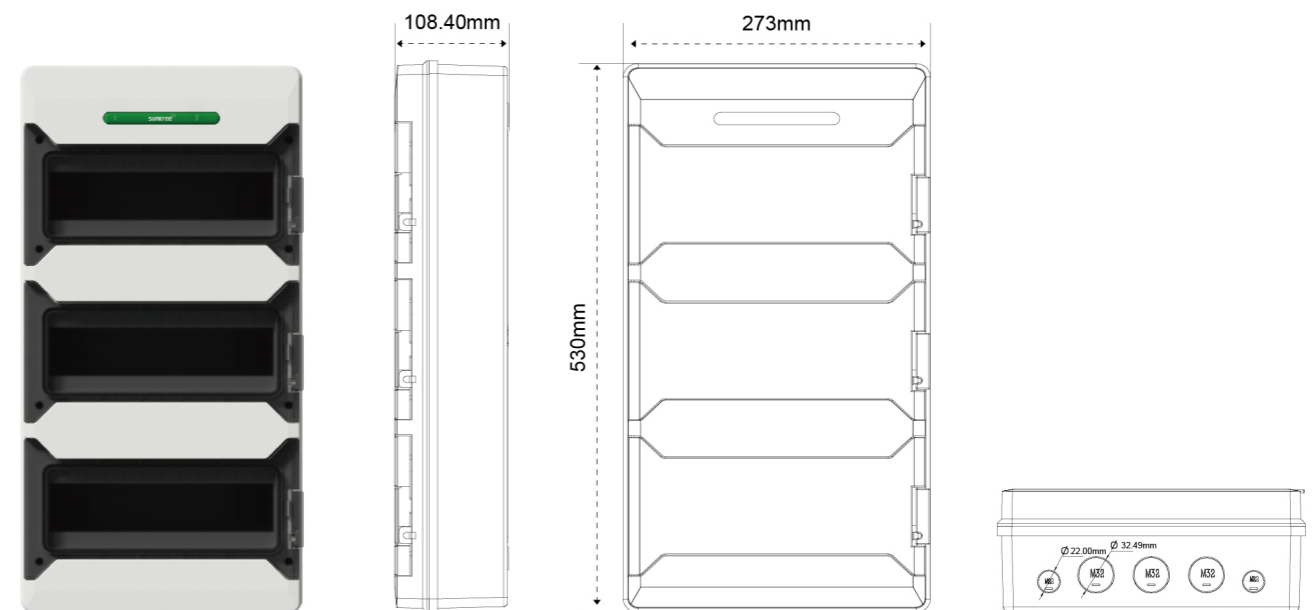
PMHPN-24 Dimension Drawing (mm)



PMHPN-9 Dimension Drawing (mm)



PMHPN-36 Dimension Drawing (mm)



PMHPN-12 Dimension Drawing (mm)

