

**NEW**

# AC ISOLATING SWITCH

**NEW**

**Patent product  
SISO-63**



## Technical Data

Data according to IEC 947-3, IEC 947-5-1, VDE 0660, EN 60947-3, EN 60947-5-1

**Technical Data**

Type	SISO20	SISO25	SISO32	SISO40	SISO63
Main contacts					
Rated thermal current $I_{th, open}$	A 20	25	32	40	63
Rated thermal current $I_{th, enclosed}$	A 20	25	32	40	63
Rated insulation voltage $U_i^{(1)}$	V 690	690	690	690	690
Rated operational current $I_c$ AC21A	A 20	25	32	40	63
Making capacity $I_{eff}$ 220-440V	A 160	190	220	300	370
Breaking capacity 380-440V 660-690V	A 160	180	200	250	330
	A 160	180	200	250	330
	A 80	110	140	170	190
Disconnection property performed up to	V 690	690	690	690	690
Motor Switch AC3 400V	A 12	16	23	30	37
Motor Switch AC3 220-240V	KW 3	4	5.5	7.5	11
Direct switching of single motors 380-440V 660-690V	KW 5.5	7.5	11	15	18.5
	KW 5.5	7.5	11	15	18.5
Main Switch AC23 400V	A 16	20	25	32	45
Motor Switch, AC23A 220-240V	KW 4	5.5	7.5	9	15
Main Switch, AC23B 380-440V	KW 7.5	10	12.5	16	22
Safety Switch 660-690V	KW 5.5	7.5	11	15	18.5
Rated conditional short-circuit current	KW <sub>eff</sub> 10	10	10	10	10
Max. fuse size gL(gG)	A 25	35	40	50	63
Mechanical life $\times 10^3$	200	200	200	200	100
Rated short-time withstand current (1 sec. current)	A 250	300	400	500	600
Maximum ambient temperature					
Operation Open	-40 to +60				
enclosed	-40 to +40				
storage	-50 to +90				

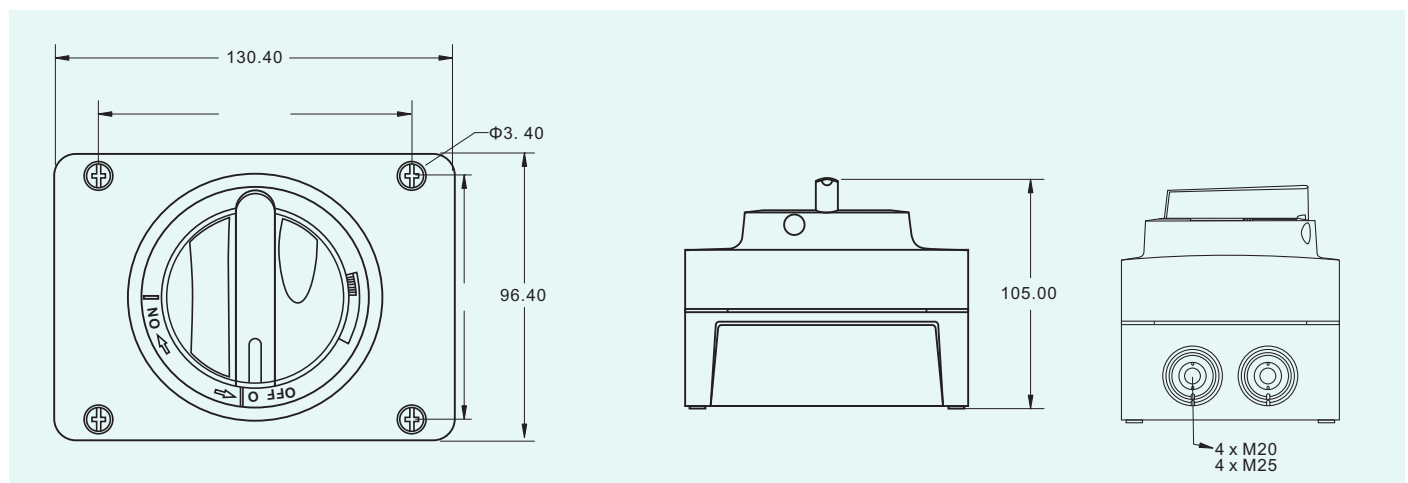
<b>Cable cross sections</b>	mm <sup>2</sup>	0.5-10	1-25
solid or standard	AMG	20-8(10)	6-4(10)
flexible	mm <sup>2</sup>	0.5-6	4-16
	AMG	20-10	16-6
flexible(+multicore cable end)	mm <sup>2</sup>	0.5-6	75-16
	AMG	20-10	16-6
Size of terminal screw		M3.5	M5
Tightening torque	Nm	0.8-1.7	2-4
<b>Auxillary contacts</b>			
Rated insulation voltage U <sub>i</sub> <sup>1)</sup>	V	690	690
Rated thermal current I <sub>th</sub> , I <sub>me</sub>	A	10	10
Switching capacity AC15 220-240V	A	2.5	2.5
AC15 380-440V	A	1.5	1.5
Rated conditional short-circuit current	KA <sub>off</sub>	3	3
Max.short circuit protection gL(gG)	A	10	10
<b>Cable cross sections</b>	mm <sup>2</sup>	0.75-2.5	0.75-2.5
Solid or standard	AWG	14-12	14-12
flexible(+multicore cable end)	mm <sup>2</sup>	0.75-2.5(1.5)	
	AWG	18-14	18-14

#### Data according to UL and cUL

Type		SISO20	SISO25	SISO32	SISO40	SISO63
Rated voltage	V	600	600	600	600	600
Ampere-Rating "General use"	A	20	25	32	40	63
DOL-Rating 3-phase	110-120V	HP 1	1.5	2	2	3
	220-240V	HP 3	5	5	5	10
	440-480V	HP 7.5	10	10	10	20
	550-600V	HP 10	10	15	15	25
DOL-Rating 1-Phase	110-120V	HP 1	1	1	1	2
	200-208V	HP 1	2	2	2	3
	220-240V	HP 2	2	3	3	5
Fuse size(RK5) Manual Motor Controller	A	40	50	50	70	90
	5KA/600V Motor Disconnect	A	40	50	50	70
Tightening torque	Nm	1.2-2.3	1.2-2.3	1.2-2.3	1.2-2.3	2.8-4
	lb. inch	11-20	11-20	11-20	11-20	24-35

1) Suitable for earthed-neutral systems, overvoltage category I to III, pollution degree 3 (standard-industry); U<sub>imp</sub>=6kV. Data for other conditions on request

## External Dimensions



## ZheJiang Xinchu Electric Co., LTD

Wanjia Industrial Zone, Malujiao, NorthBaixiang, Wenzhou, Zhejiang, China

Tel: 0086 577 62890205

Fax: 0086 577 62890578

Email: [suntree@chinasuntree.com](mailto:suntree@chinasuntree.com)

Web: [www.chinasuntree.com](http://www.chinasuntree.com)

Zip: 325603